

Körperschalllautsprecher EXT-20212D10

Art. Nr. 105032

Specification:

NO	ITEM	SPECIFICATION
1	NOMINAL IMPEDANCE	4Ω ± 15 % at 1V,500HZ (D.C.R:4.2Ω±10%)
2	RESONANCE FREQUENCY	172Hz ± 20% Hz at 1V (LMS)
3	FREQUENCY RANGE	F0 ~ 18KHz -10dB
4	SOUND PRESSURE LEVEL	80dB / 1W / 1M ± 3dB at 110,1K,6KHz
5	POWER HANDLING CAPACITY	NORMAL INPUT : 10W
		MAX INPUT : W
6	BUZZ & RATTLE TEST	4.47V (20Hz~18KHz 2.5Sec)
7	POLARITY	When a positive D.C voltage is applied to the Voice Coil terminal marked to Diaphragm should move to the front.
8	FLUX DENSITY	14260GAUSS ± 10%
9	WEIGHT OF SPEAKER	85g ± 10%
10	VOICE COIL SIZE	Φ25.4mm
11	INSULATION RESISTANCE	1MΩ or more (DC 100V Terminal /Frame)
12	POWER TEST	IEC 268-5 6.32V 48HR (GB)
13	HEAT RESISTANCE	60 ± 2°C 20-50% 48HR (GB)
14	HUMIDITY RESISTANCE	40 ± 2°C 90-95% Duration 48HR (GB)
15	LOW TEMPERATURE	-20±2°C 20-50% 48HR (GB)
16	DROPPING TEST	600±25mm 60°±5° (GB)

Körperschalllautsprecher EXT-20212D10

Art. Nr. 105032

Sample Testing Report:

NO	ITEM	TESTING CONDITIONS	No1	No2	No3	No4	Result
1	Speaker Size	Out Diameter 66.8*66.8±0.3mm	66.8* 66.8	66.8* 66.8	/	/	OK
2	Impedance	4 Ω ±15 % At 1V 500Hz (D.C.R : 4.2 Ω±10%)	4.2	4.2	/	/	OK
3	Resonance Frequency	172Hz±20% (LMS)	172	172	/	/	OK
4	Sound Pressure Level	80dB±3dB 1W / 1M At 110,1K.,6KHz	80	80	/	/	OK
5	Buzz & Rattle Test	Must Be Normal: Wave4.47V (20HzTo18KHz)	√	√	/	/	OK
6	Polarity	When a positive D.C voltage is applied To the voice coil terminal marked to Diaphragm should move to the front	√	√	/	/	OK
7	Flux Density	14260GAUSS±10%	14260	14288	/	/	OK
8	Power Test	IEC 268-5 6.32V 48HR (GB)	√	√	/	/	OK
9.	Heat Resistance	60±2°C 20-50% 48HR (GB)	√	√	/	/	OK
10	Humidity Resistance	40± 2°C 90-95% DURATION 48HR (GB)	√	√	/	/	OK
11	Low Temperature	-20±2°C 20-50% 48HR (GB)	√	√	/	/	OK
12	Dropping Test	600mm±25mm 60°±5° (GB)	√	√	/	/	OK

Körperschalllautsprecher EXT-20212D10

Art. Nr. 105032

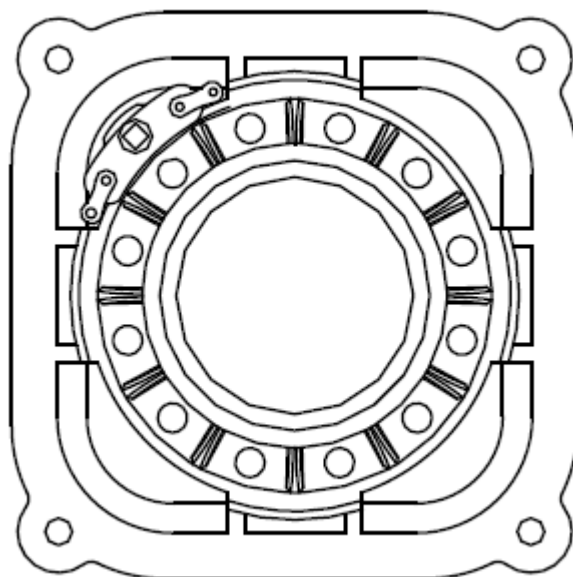
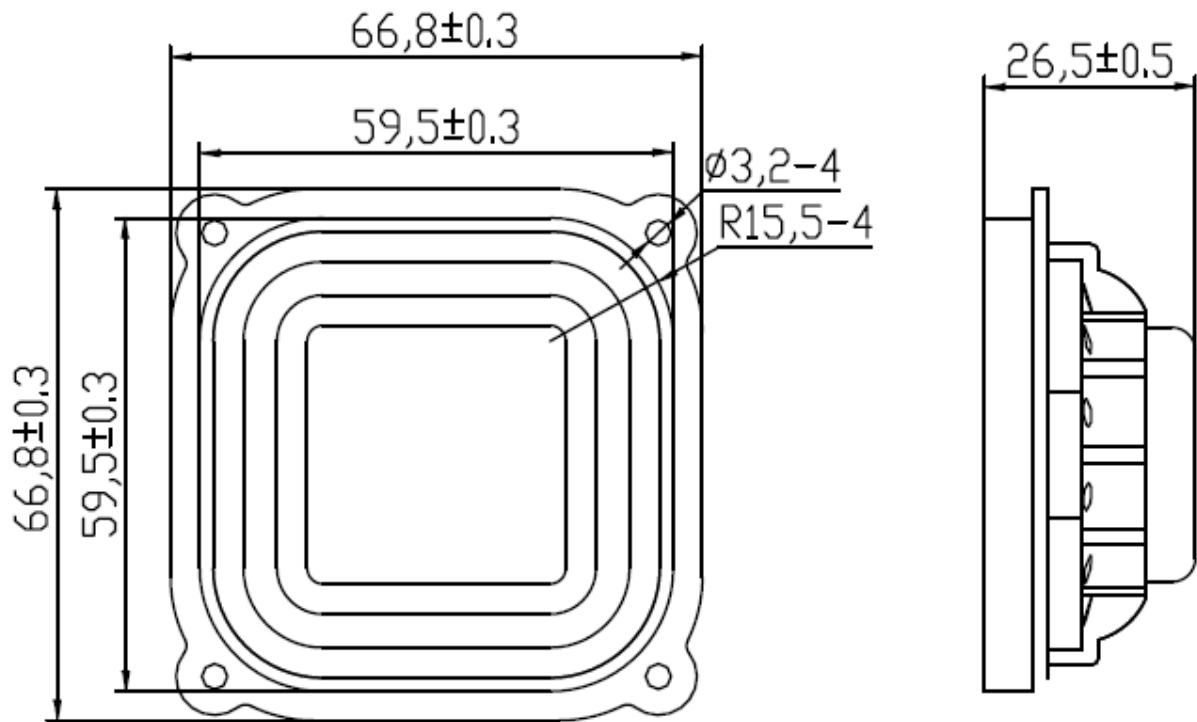
RoHS Substance Confirmation Form:

NO	SUPPLY ITEM		RoHS Substance Inspection Result						Survey Report No
			Cd	Pb	Hg	Cr6+	PBB	PBDE	(6 Material)
	Item	Material	100	1000	1000	1000	1000	1000	ppm
1	磁铁	Ferrite	ND	ND	ND	ND	ND	ND	RLSHD000529720003
			OK	OK	OK	OK	OK	OK	2011/02/05
2	T 铁	Fe	ND	ND	ND	Eegative	ND	ND	RLSDC000024190002C
			OK	OK	OK	OK	OK	OK	2010/05/06
3	华 司	Fe	ND	ND	ND	Negative	NA	NA	RLSDD000083570001
			OK	OK	OK	OK	NA	NA	2011/01/27
4	支架	Fe	ND	ND	ND	ND	ND	ND	CANEC1101678701
			OK	OK	OK	OK	OK	OK	2011/05/10
5	鼓纸	/	ND	ND	ND	ND	ND	ND	CANC1100277303
			OK	OK	OK	OK	OK	OK	2011/01/27
6	音 圈	KSV	ND	ND	ND	ND	ND	ND	RLSZD000817350003
			OK	OK	OK	OK	OK	OK	2011/02/24
		CCAW	ND	ND	ND	Negative	ND	ND	CE/2010/65096
			OK	OK	OK	OK	OK	OK	2010/07/02
7	弹波	棉布	ND	ND	ND	ND	ND	ND	CE/2011/14696
			OK	OK	OK	OK	OK	OK	2011/01/28
8	端子	Cu	ND	ND	ND	Negative	ND	ND	CE/2011/12724
			OK	OK	OK	OK	OK	OK	2011/01/13
9	胶水	GF6000	ND	ND	ND	ND	ND	ND	CE/2011/35347
			OK	OK	OK	OK	OK	OK	2011/03/28

Körperschalllautsprecher EXT-20212D10

Art. Nr. 105032

Dimension:



Körperschalllautsprecher EXT-20212D10

Art. Nr. 105032

